

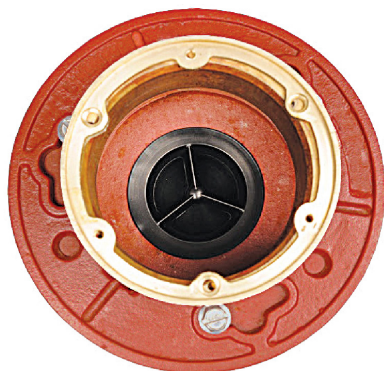
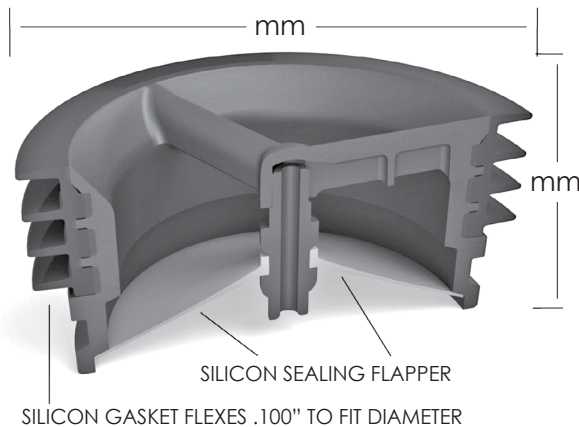
**Specifications:** Series inline floor drain trap seal with UV resistant ABS plastic frame, silicone rubber sealing flapper and four flexible sealing ribs. Tested and certified to the ASSE 1072 Standard and listed with IAPMO and I.C.C. Specify connection size (2" (51MM), 3" (75mm), 3 1/2" (89mm) or 4" (102mm))

**Function:** Used in the outlet connections of floor drain bodies, or the inside of floor drain strainers to seal the opening to prevent odors, sewer gases, and insects from entering up through the floor drain grate. The Green Drain's four flexible silicone sealing ribs ensure easy installation into openings that have variations in size. The Green Drain will open to allow drainage and close when there is no water flow. The Green Drain can be used in either new construction or retro-fit applications where trap primers were never installed.

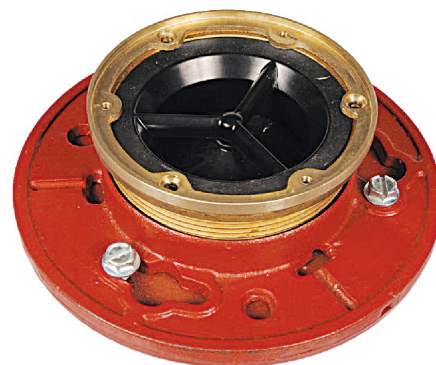
Prevents the following from entering through the top of floor drains:

- Odors and sewer/radon gases
- Insects and harmful pathogen spread

MODEL NUMBER	DEVICE SIZE		FLOW RATE
	PIPE SIZE (mm)	HEIGHT (mm)	L/M
GD2.....	50-58.....	51.....	45,4
GD3.....	75-85.....	51.....	128,7
GD35.....	89-100.....	51.....	193,0
GD4.....	102-110.....	51.....	276,3



BOTTOM OF BODY



TOP OF STRAINER

U.S. Patent #7,900,288





### Prevents

Drain Odors  
Pest Infiltration  
Sewer/Radon Gas Infiltration  
Harmful Biologic Aerosols

### Product Benefits

Increases Indoor Air Quality  
Protects the Public Health  
Green Technology  
Helps in LEEDS Certification

### Product Features

One way drain valve  
Ease of installation  
Does not impair flow rate

Does not impair plumbing maintenance  
Provides sewage back-flow protection  
Universal Plumbing Code Certified

